

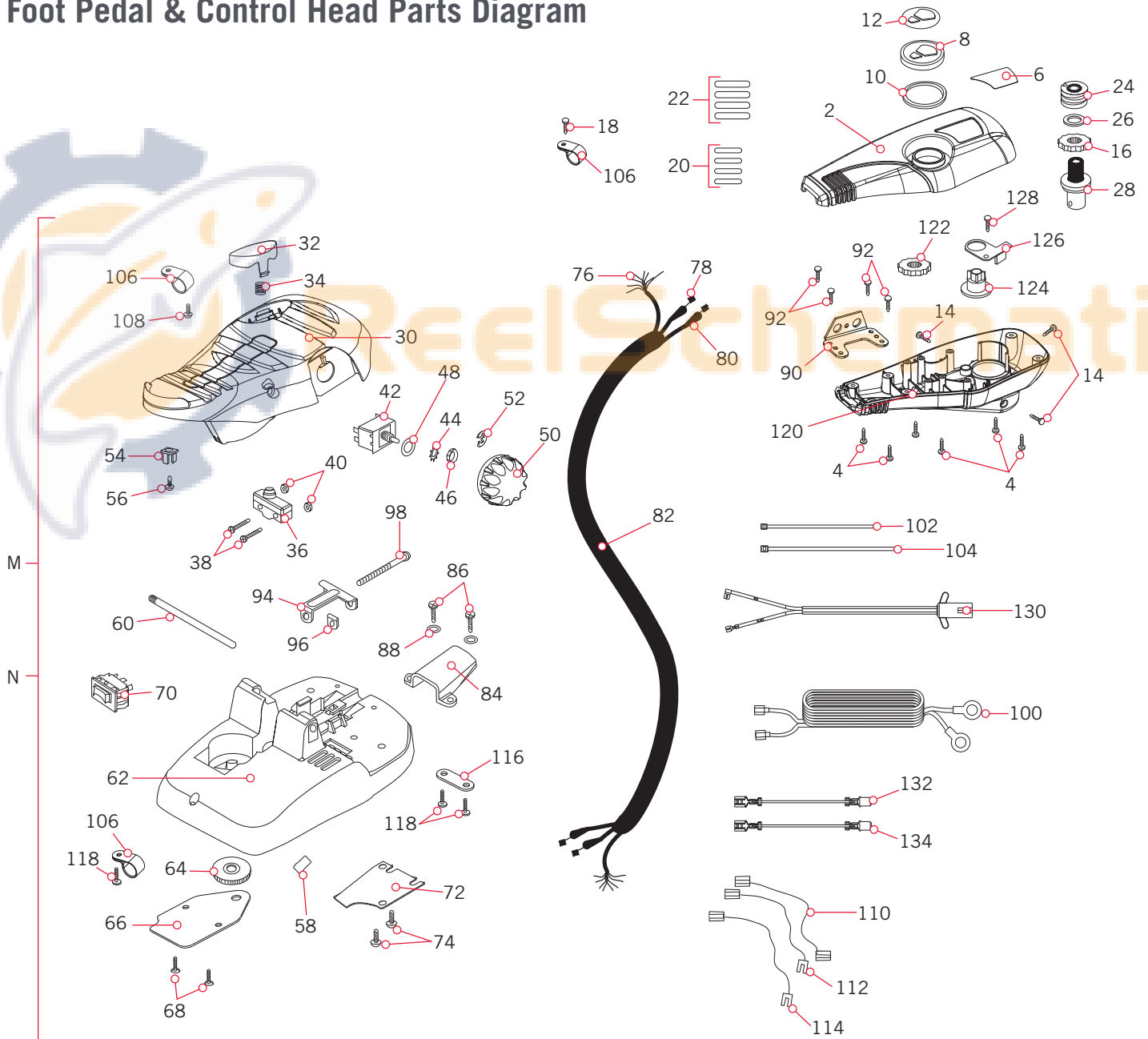
PARTS DIAGRAM & PARTS LIST

EDGE 45 - 45 LBS THRUST - 12 VOLT - 36"/42"/45"/50" SHAFT

This page provides Minn Kota® WEEE compliance disassembly instructions. For more information about where you should dispose of your waste equipment for recycling and recovery and/or your European Union member state requirements, please contact your dealer or distributor from which your product was purchased. Tools required, but not limited to: flat head screw driver, Phillips screw driver, socket set, pliers, wire cutters.

EDGE 45 FOOT PEDAL & CONTROL HEAD >

> Foot Pedal & Control Head Parts Diagram



PARTS DIAGRAM & PARTS LIST

► Foot Pedal & Control Head Parts List

Assembly	Part #	Description	Notes	Quantity
M	2992126	FOOT PEDAL ASM, EDGE	*36**	1
N	2992130	FT PEDAL ASM, EDGE w/PLUG	*45** *W/O MOUNT* *W/PLUG*	1
Item	Part #	Description	Notes	Quantity
2	2260216	COVER,CTRL BOX, EDGE		1
4	2372100	SCREW-#8-18 X 5/8 THD* (SS)	*NOT PART OF ASSEMBLY M, N, P*	6
6	2265780	DECAL-COVER, EDGE 45/FC		1
8	2260153	POINTER DISC, YELLOW		1
10	2261733	WASHER,ANTI-RATTLE		1
12	2265800	DECAL-INDICATOR		1
14	2053414	SCREW-#8-32 X 1/2 TRI-LOBE PPH	*NOT PART OF ASSEMBLY M, N, P*	3
16	2267800	GEAR-INDICATOR		1
18	2372100	SCREW-#8-18 X 5/8 THD* (SS)		1
20	2375400	SHRINK TUBE-1/40D X 1-3/4		4
22	2355410	SHRINK TUBE-3/8 DIA. ID X 2"		4
24	2232360	PULLEY-CABLE DRUM		1
26	2261730	WASHER-NYLON A/T CON B		1
28	2996246	TOP BEARING RACE/PINION DR.		1
30	2994497	FOOT PEDAL w/PLUG		1
32	2283700	PUSH BUTTON W/MAG CAVITY		1
34	2302732	SPRING-LOWER PEDAL S/S		1
36	2264040	SWITCH-MOM., CAT# YA-7RB215T		1
38	2262114	SCREW-MOUNTING/SWITCH		2
40	2233100	NUT-SWITCH MOUNT		2
42	2264026	SWITCH-5 SPEED (ALL TERAIN)		1
44	2261701	LOCKWASHER-STAR (ZP STEEL)		1
46	2263105	NUT-HEX 3/8-24, JAM ZP		1
48	2261715	SPACER-SWITCH 5 SP MODELS ZP		1
50	2280110	KNOB-SPEED CTRL,5 SPD		1
52	2263000	E-RING TRU-ARC#5133-43		1
54	2260730	CONNECTOR 1/4 MALE TAB QD		1
56	2332103	SCREW-#6-20 X 3/8 THD*(SS)		1
58	2266413	TENSION SCREW PLATE FTPEDAL		1
60	2260511	PIN-PIVOT A/T FT PDL		1
62	2994556	ASSEMBLY, FT PEDAL BASE/PIN		1
64	2262301	PULLEY (FOOT PEDAL)		1
66	2266401	COVER-PULLEY (STAMPING)		1
68	2301310	SCREW-#8-18 X 1/2 (SS)*		2
70	2254031	SWITCH-MOM/OFF/COM		1

▲ Not shown on Parts Diagram.

* This part is included in an assembly and cannot be ordered individually.

PARTS DIAGRAM & PARTS LIST



Item	Part #	Description	Notes	Quantity
72	2266412	SWITCH PLATE, FT PEDAL		1
74	2332103	SCREW-#6-20 X 3/8 THD*(SS)		2
76	2261208	WIRE HARNESS, A/T FT. PEDAL		1
78	2267505	CABLE ASSY-RIGHT (5')		1
80	2267515	CABLE ASSY-LEFT (5')		1
82	2265430	CABLE JACKET (5') AT MODEL		1
84	2265115	BOOT-FOOT PEDAL BASE		1
86	2372100	SCREW-#8-18 X 5/8 THD* (SS)		2
88	2261714	WASHER-MAXXUM FT PDL 18/8 SS		2
90	2261901	BRACKET-CONDUIT AT/MAX		1
92	2223430	SCREW-#8x3/4 PPH,TYPE 25,SS		4
94	2263210	BRACKET-CONDUIT ADJUSTMEN		1
96	2263140	KEEPER-NYLOCK		1
98	2263466	SCREW-1/4-20 X 2" PPH SS/REI		1
100	2261235	LEADWIRE-BATTERY A/T 5-SPD		1
102	9950433	TIE WRAP-4" BLACK(#21041)		1
104	2256300	TIE WRAP-5.5" BLACK		1
106	2263201	CLAMP WIRE HARNESS MICRO		3
108	2332103	SCREW-#6-20 X 3/8 THD*(SS)		1
110	2260301	CONNECTING WIRE (SWITCH)		1
112	2260312	WIRE,BLK W/WHT STRP 19 1/4"		1
114	2260322	WIRE,BLK W/BLUE STRP-12"		1
116	2263205	CLAMP-LEADWIRE (STAMPING)		1
118	9953104	SCREW-#8 X 1/2" PPH S/S		3
120	2262515	CONTROL BOX		1
122	2267800	GEAR-INDICATOR		1
124	2262221	INDICATOR-DRIVE (YELLOW)		1
126	2261905	BRACKET/INDICATOR		1
128	2223430	SCREW-#8x3/4 PPH,TYPE 25,SS		1
130	2266731	LEADWIRE w/PLUG, EDGE TRACKER	*W/O* *MOUNT W/PLUG*	1
132	2260334	WIRE EXTENSION-16 GA,WHITE,4"	*50**	1
134	2260335	WIRE EXTENSION-16 GA,YELLOW,4"	*50**	1
▲	2267162	MANUAL, EDGE/FC		1
▲	2274994	PARTS LIST, EDGE 45/FC		1
▲	2015800	HANG TAG "CAUTION..TILT HINGE"		1
▲	2015801	HANG TAG-PINK "CAUTION..HG/DR"		1

▲ Not shown on Parts Diagram.

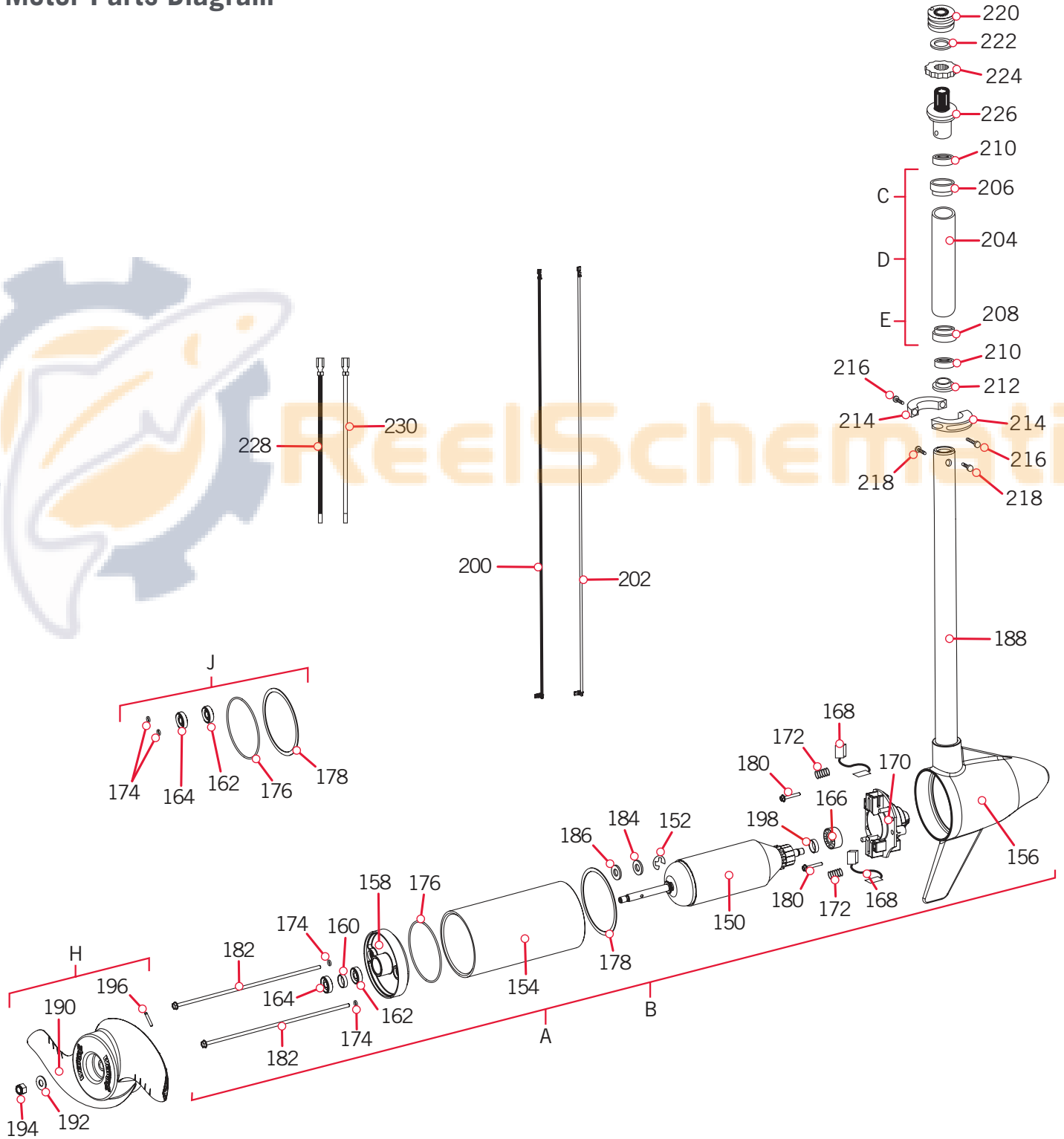
✱ This part is included in an assembly and cannot be ordered individually.



PARTS DIAGRAM & PARTS LIST

EDGE 45 MOTOR >

> Motor Parts Diagram



PARTS DIAGRAM & PARTS LIST

Motor Parts List

Assembly	Part #	Description	Notes	Quantity
A	2069285	MTR ASY 12V 3.25 SC FW 45	*36"* *42"*	1
B	2069286	MTR ASY 12V 3.25 SC FW 45	*45"* *50"*	1
C	2992015	TUBE W/BEARING RACE ASSY	*36"* *42"*	1
D	2992012	TUBE W/BEARING RACE ASSY	*45"*	1
E	2992016	TUBE W/BEARING RACE ASSY	*50"*	1
H	1378121	PROP IND 2061122 (1 EA)		1
J	2883460	SEAL & O-RING KIT		1
Item	Part #	Description	Notes	Quantity
150	2-100-202	ARM ASSY 12V 3.25 45# BB		1
152	788-015	RETAINING RING		1
154	2-200-079	CTR HSG ASY 3.25 TX-MAGNT		1
156	2-300-132M	BRUSH END ASY 12V 3.25 SPCOIL	*36"* *42"*	1
	2-300-134M	BRUSH END ASY 12V 3.25 SPCOIL	*45"* *50"*	1
158	2-400-128	PLAIN END HSG ASY 3.25		1
160	144-049	BEARING - FLANGE		1
162	880-003	SEAL		1
164	880-006	SEAL WITH SHIELD		1
166	140-010	BEARING - BALL		1
168	188-052	BRUSH ASSEMBLY		2
170	738-030	BRUSH PLATE W/HOLDER 3.25		1
172	975-032	SPRING - COMPRESSION		2
174	701-007	O-RING	*THRU-BOLT*	2
176	701-039	O-RING MK406460		1
178	701-041	O-RING		1
180	830-001	SCREW-#8-32x1.75 SELF-THRD		2
182	830-078	THRU BOLT 8-32 X 8.96		2
184	990-067	WASHER - STEEL THRUST		1
186	990-070	WASHER - NYLATRON		1
188	2032061	TUBE W/CSK HOLE-43 3/4"	*45"*	1
	2032062	TUBE (COMP)W/CSK HOLE 36"	*36"*	1
	2032063	TUBE (COMP)W/CSK HOLE-42"	*42"*	1
	2032059	TUBE-COMPOSITE W/CSK HOLE-50"	*50"*	1
190	2061122	PROP-POWER (3.25") REAMED		1
192	2151726	WASHER-5/16 STD (S/S)		1
194	2053101	NUT-PROP,NYLOC (MED) 5/16 SS		1
196	2092600	PIN-DRIVE 1.06" LG (SS)		1

▲ Not shown on Parts Diagram.

* This part is included in an assembly and cannot be ordered individually.

PARTS DIAGRAM & PARTS LIST



Item	Part #	Description	Notes	Quantity
198	725-035	PAPER TUBE - SEAL BORE		1
200	640-002M	LEADWIRE BLK 10 AWG 52 GPT	*36"*	1
	640-005	LEADWIRE BLK 10 AWG 57 GPT	*45"* *50"*	1
	640-005M	LEADWIRE BLK 10 AWG 57 GPT	*45"* *W/O MOUNT*	1
202	640-112M	LEADWIRE RED 10 AWG 53 GPT	*36"*	1
	640-134	LEADWIRE RED 10AWG 58 GPT	*45"*	1
	640-134M	LEADWIRE RED 10 AWG 58 GPT	*45"* *W/O MOUNT*	1
204	2272066	TUBE OUTER-18" 4 HOLES	*36"*	1
	2272069	21" TUBE OUTER 4 HOLES	*45"*	1
	2272067	24" TUBE OUTER 4 HOLES	*50"*	1
206	2266260	BEARING RACE		1
208	2266220	BEARING RACE-STEEL		1
210	2266000	BEARING BALL-STEEL		2
212	2266115	BEARING CONE		1
214	2261622	COLLAR HALF,ALUM (2 PER)		2
216	2263453	SCREW-1/4-20 X 1" SHCS S/S		2
218	2263410	SCREW-#8-32 X 5/16(ZN PL)		2
220	2232360	PULLEY-CABLE DRUM		1
222	2261730	WASHER-NYLON A/T CON B		1
224	2267800	GEAR-INDICATOR		1
226	2996246	TOP BEARING RACE/PINION DR.		1
228	2030316	WIRE EXTENSION-18"-BLACK	*50"*	1
230	2030317	WIRE EXTENSION-18"-RED	*50"*	1

▲ Not shown on Parts Diagram.

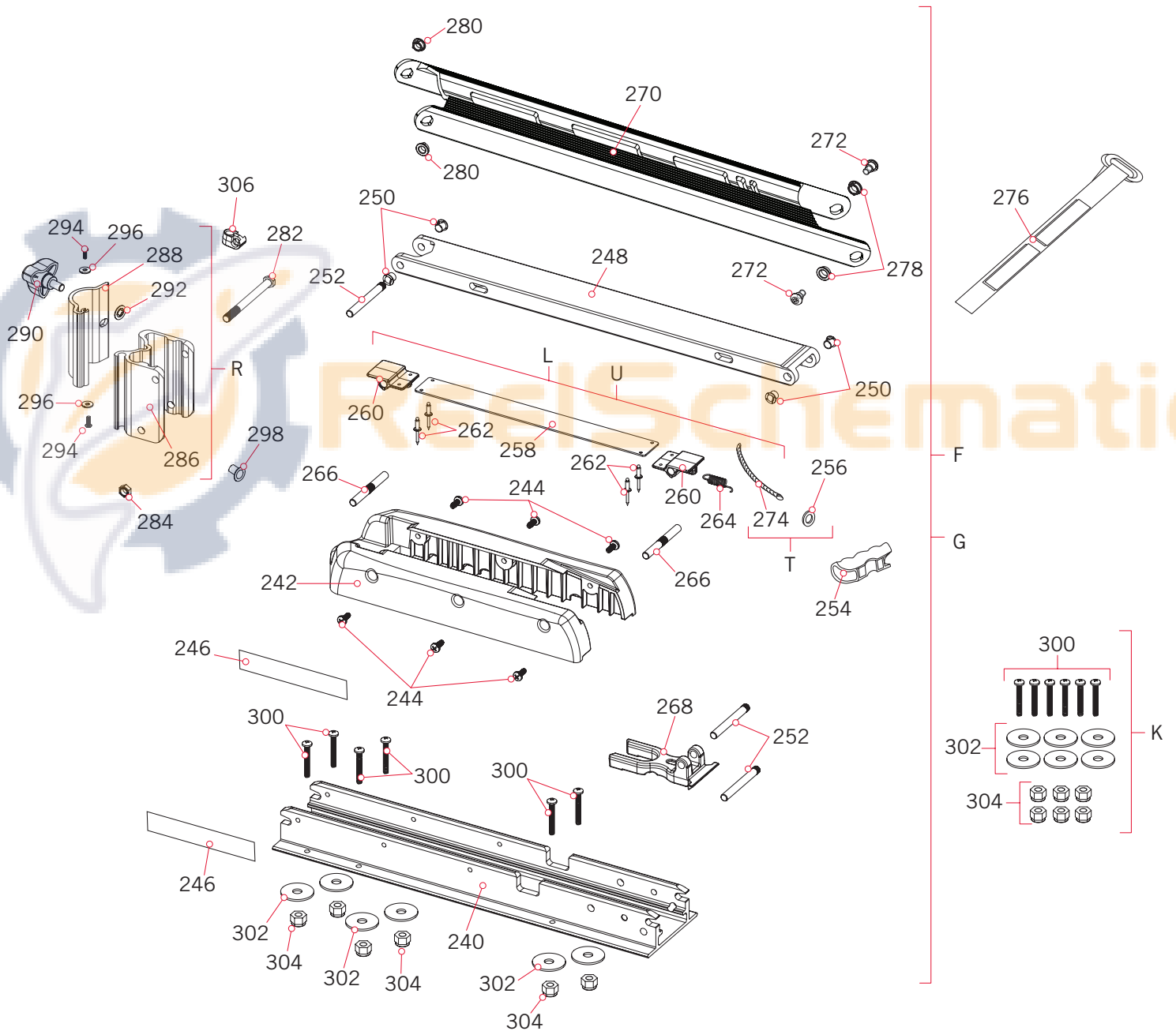
✘ This part is included in an assembly and cannot be ordered individually.



PARTS DIAGRAM & PARTS LIST

EDGE 45 MOUNT >

> Mount Parts Diagram



PARTS DIAGRAM & PARTS LIST

Mount Parts List

Assembly	Part #	Description	Notes	Quantity
F	2991646	MNT ASM EDGE FW SHORT		1
G	2991647	MNT ASM EDGE FW LONG	*50**	1
K	2994838	BAG ASSY-(BOLTS,NUTS,WASHERS)		1
L	2993811	LATCH STRAP ASSEMBLY STD		1
R	2991829	HINGE BASE/DOOR ASY		1
T	2994886	BAG ASSY, PULL GRIP/WASHER		1
U	2993812	LATCH STRAP ASSEMBLY LONG	*50**	1
Item	Part #	Description	Notes	Quantity
240	2266507	BOWPLATE EXTRUSION,LNG,FW	*50**	1
	2266502	BOWPLATE EXTRUSION,STD,FW		1
242	2263905	MOTOR REST, A/T, BLK		1
244	2303430	SCREW-1/4-20 X 5/8-SELFTAP ZP		6
246	2265702	DECAL, MOTOR REST EDGE FW		2
248	2264372	LOWER ARM EXT,STD,FW		1
	2264377	LOWER ARM EXT,LNG,FW	*50**	1
250	2266002	BEARING-NYLINER 3/8" SHAFT		4
252	2260503	PIN-PIVOT		3
254	2150405	PULL GRIP		1
	2150400	PULL-GRIP	*50**	1
256	2151700	WASHER-EYE SHAFT(.562 OD) SS		1
258	2263607	LATCH STRAP, LONG MOUNT	*50**	1
	2263605	LATCH STRAP, LOWER ARM		1
260	2261903	BRACKET-LATCH		2
	2261902	BRACKET-LATCH	*50**	2
262	2268602	RIVET 1/8" BUTTONHEAD BLIND SS		4
264	2262709	SPRING-LATCH PIN		1
266	2260501	PIN-LATCH		2
268	2261544	YOKE-TUBE		1
270	2264272	ARM-UPPER, LONG	*50**	1
	2264271	ARM-UPPER, SHORT		1
272	2263510	BOLT-SHOULDER, SS		2
274	2251601	ROPE (44.5"), MAXXUM MNT		1
	2251603	ROPE (48"), EDGE MOUNT	*50**	1
276	2263805	STRAP-HOOK&LOOP,22.5"1-PC.BRKT		1
278	2267302	BUSHING-PWDR MTL 7/16 ID SS		2
280	2267303	BUSHING-PWDR MTL 3/8 ID SS		2

▲ Not shown on Parts Diagram.

✳ This part is included in an assembly and cannot be ordered individually.

PARTS DIAGRAM & PARTS LIST



Item	Part #	Description	Notes	Quantity
282	2263505	BOLT 3/8-16 UNC X 4.25" HEXHD		1
284	2263114	NUT-NYLOCK JAM 3/8-16 UNC		1
286	2261892	HINGE BASE EXTRUSION,FW		1
288	2261897	HINGE DOOR EXTRUSION,FW		1
290	2260905	KNOB-SOFT GRIP,HG/DR,ZNC		1
292	2261728	WASHER-RETAINING 3/8 THREADS		1
294	2053415	SCREW-#8-32 X 3/8 TRI-LOBE PPH		2
296	2261732	WASHER-#8, NYLON BLACK		2
298	2264703	INSERT-THREADED (EDGE)		1
300	2263462	SCREW-1/4-20 X 2" S/S PPH ADJT		6
302	2261713	WASHER-1/4 FLAT 18-8 SS		6
304	2263103	NUT-1/4-20 NYLOCK SS		6
306	2262310	GUIDE-ROPE		1



▲ Not shown on Parts Diagram.

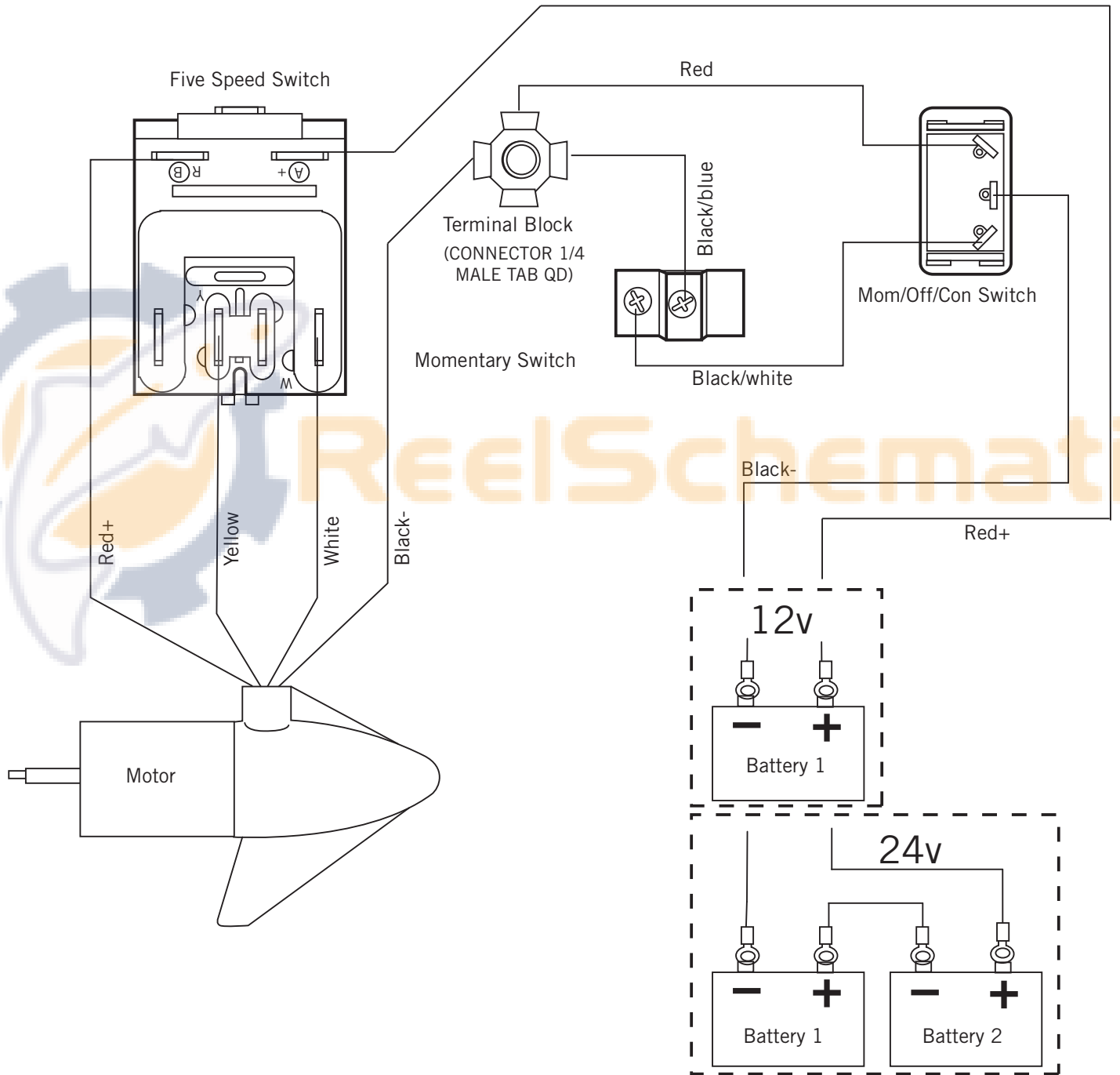
✘ This part is included in an assembly and cannot be ordered individually.



MOTOR WIRING DIAGRAM

EDGE

The following Motor Wiring Diagram applies to all Edge Foot Control models.



NOTICE: This is a multi-voltage diagram. Double-check your motor's voltage for proper connections. Over-Current Protection Devices are not shown in this illustration.